

1

2

3

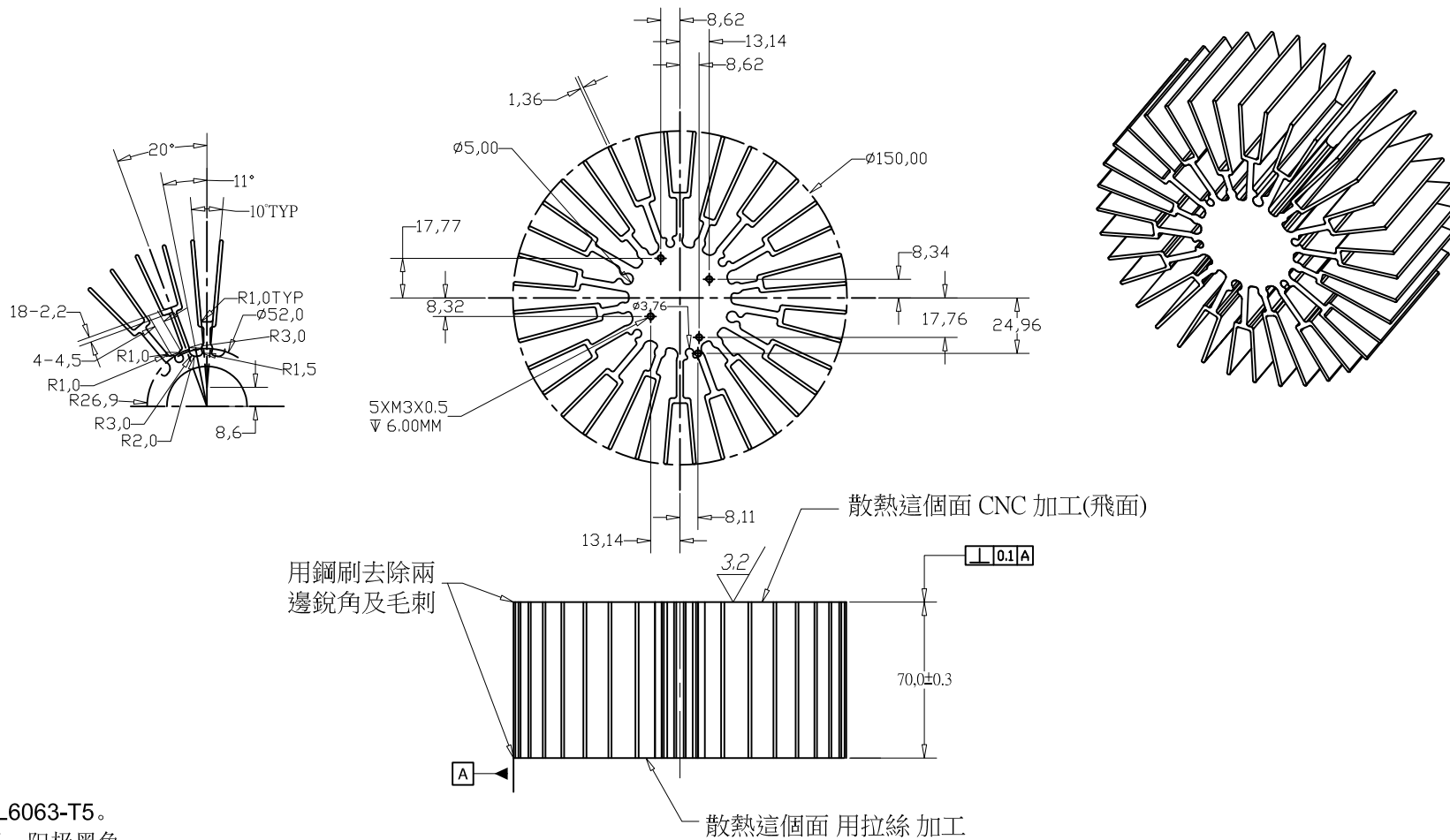
4

5

6

REV	DESCRIPTION	DRAWN	DATE
-	-	-	-

切斷 CNC飛切斷面(飛一面,另一面拉絲) 拋角不刮手即可 陽極黑色 出貨



NOTES:

1. 材質: AL6063-T5。
2. 表面处理: 阳极黑色。
3. 未注圆角R≤0.3。
4. 切斷面一個面拉絲,另一面飛面,去除所有毛刺。
5. 為注公差0.2MM。

ALL MATERIAL TO BE RoHS COMPLIANCE
全部的材质必须是符合RoHS

THIS DRAWING/DOCUMENT CONTAINS INFORMATION WHICH IS PROPRIETARY TO, AND IS THE PROPERTY OF FANTECH, AND MAY NOT BE USED, REPRODUCED OR DISCLOSED IN ANY MANNER, WITHOUT EXPRESS WRITTEN PERMISSION FROM FANTECH.

APPROVED	.	FANTECH ELECTRONIC CO., LTD. Tel: +886-2-22110569 +86-0769-83977382 FAX: +886-2-22117464 +86-0769-83977383	TITLE: HEAT SINK	
CHECKED	.		PART NO: PY0567-01	
DRAWN	潘華	DO NOT SCALE DRAWING		CUSTOMER P/N: NPHL-15070-1-A-B
DATE:	2011.08.17	THIRD ANGLE PROJECTION	UNIT: mm	SIZE: A4
		REV: A0	SCALE: 1:3	SHEET: 1 OF 1

1

2

3

4

5

6