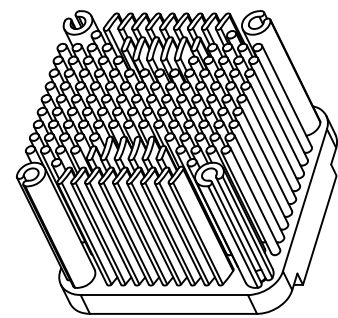
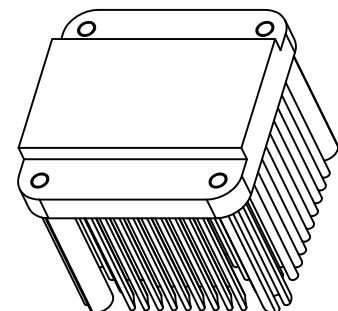
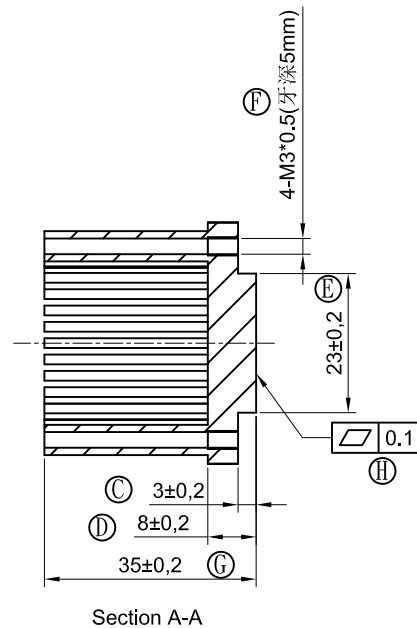
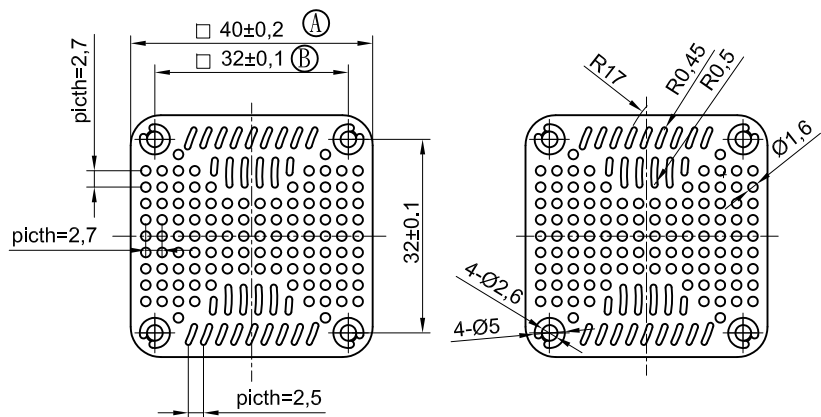


一般公差 (GENERAL TOLERANCES) : ISO-2768-M

≤6	>6~30	>30~120	>120~400	>400~1000	>1000	ANGLE
±0.1	±0.2	±0.3	±0.5	±0.8	±1.2	±1°

REV	DESCRIPTION	DRAWN	DATE
-	-	-	-



Note:

1. 材質:AL1070 截面積:1446mm<sup>2</sup> 57.2克.
2. 後處理:陽極原色.
3. 無變形 無刮傷 無利角.

ALL MATERIAL TO BE RoHS COMPLIANCE  
全部的材质必须是符合RoHS

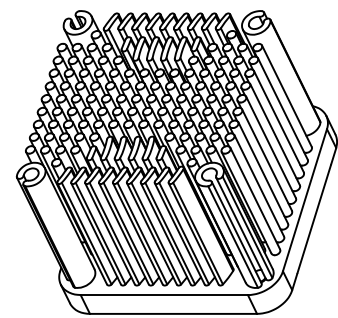
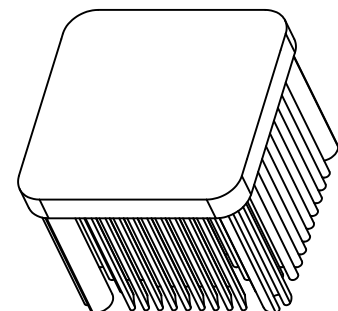
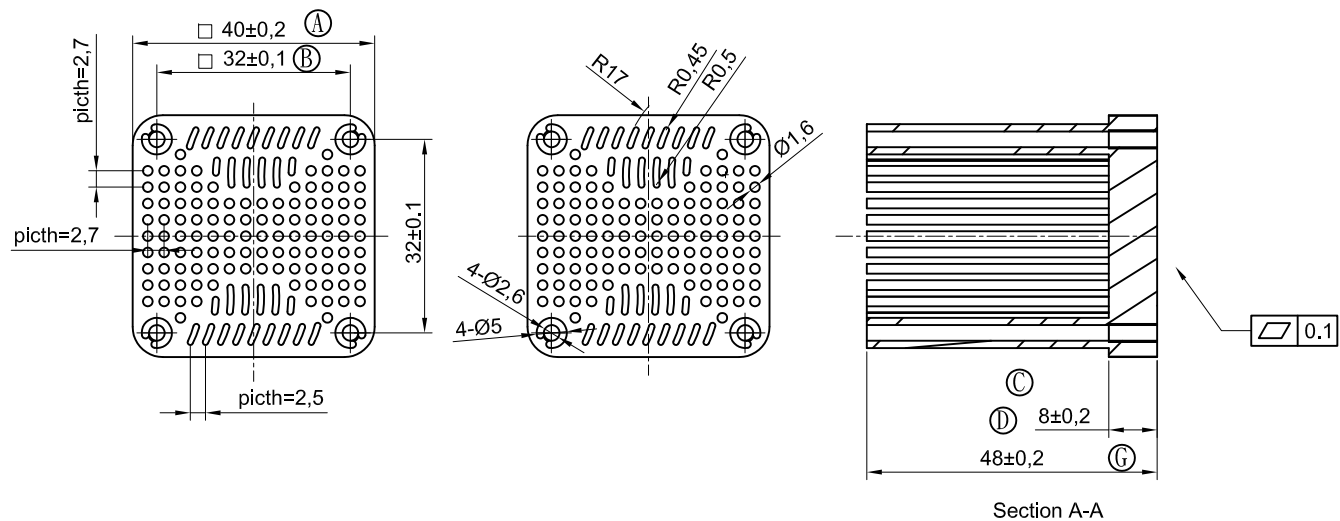
THIS DRAWING/DOCUMENT CONTAINS INFORMATION WHICH IS PROPRIETARY TO, AND IS THE PROPERTY OF FANTECH, AND MAY NOT BE USED, REPRODUCED OR DISCLOSED IN ANY MANNER, WITHOUT EXPRESS WRITTEN PERMISSION FROM FANTECH.

APPROVED	.	<b>FANTECH ELECTRONIC CO., LTD.</b> Tel: +886-2-22110569 +86-0769-83977382 FAX: +886-2-22117464 +86-0769-83977383	TITLE: <b>HEAT SINK</b>	
CHECKED	.		PART NO: <b>HS00032</b>	
DRAWN	<b>CRACKL</b>	DO NOT SCALE DRAWING		CUSTOMER P/N: .
DATE:	<b>2009.03.09</b>	THIRD ANGLE PROJECTION	UNIT: mm	SIZE: A4
		REV: A0	SCALE: 1:1.25	SHEET: 1 OF 1

一般公差 (GENERAL TOLERANCES) : ISO-2768-M

≤6	>6~30	>30~120	>120~400	>400~1000	>1000	ANGLE
±0.1	±0.2	±0.3	±0.5	±0.8	±1.2	±1°

REV	DESCRIPTION	DRAWN	DATE
-	-	-	-



Note:

1. 材質:AL1070 截面積:1446mm<sup>2</sup> 57.2克.
2. 後處理:陽極原色.
3. 無變形 無刮傷 無利角.

ALL MATERIAL TO BE RoHS COMPLIANCE  
全部的材质必须是符合RoHS

THIS DRAWING/DOCUMENT CONTAINS INFORMATION WHICH IS PROPRIETARY TO, AND IS THE PROPERTY OF FANTECH, AND MAY NOT BE USED, REPRODUCED OR DISCLOSED IN ANY MANNER, WITHOUT EXPRESS WRITTEN PERMISSION FROM FANTECH.

APPROVED	.	<p>FANTECH ELECTRONIC CO., LTD. Tel: +886-2-22110569 +86-0769-83977382 FAX: +886-2-22117464 +86-0769-83977383</p>	TITLE: HEAT SINK	
CHECKED	.		PART NO: HS00032-1	
DRAWN	CRACKL	DO NOT SCALE DRAWING		CUSTOMER P/N: .
DATE:	2009.05.15	THIRD ANGLE PROJECTION	UNIT: mm	SIZE: A4
		REV: A0		SCALE: 1:1.25
				SHEET: 1 OF 1